



SAVE ENERGY *0" LEAK VALVE

HP VALVES PVT. LTD.

ADD: S-2, Abhishek Industrial Estate, Haripura, Asarwa, Ahemdabad-16

GUJRAT INDIA Ph.: +91 - 9925047484

E-mail : hpvalves@gmail.com, hpvalve@hpvalve.net

Web: www.hpvalve.net, www.hpvalve.in



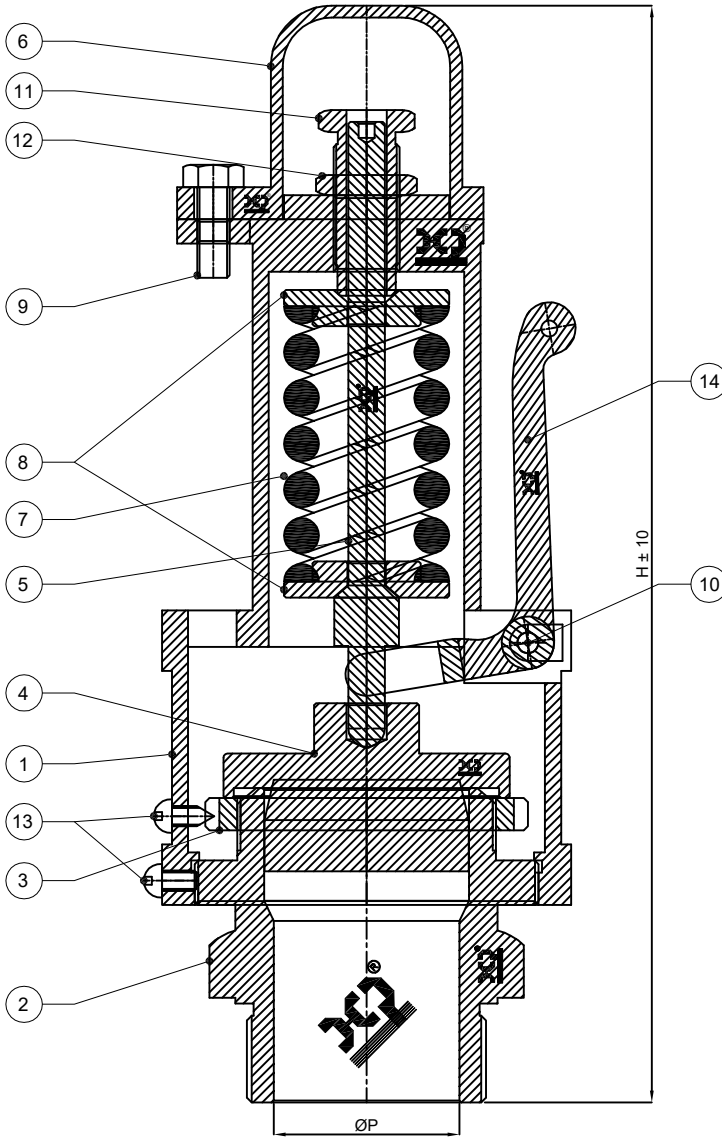
SAVE ENERGY *0" LEAK VALVE

DATA SHEET / DIMENSION TABLE

MODEL NO.	INLET - SCREWED (MALE)	ØP / ORIFICE
HPOP1580L	1"	20.8
	1.1/2"	34
	2"	46
	2.1/2"	60

FLANGE DIMENSIONS ARE IN "MM"

SIZE	ØP	H
1"	20.8	205
1.1/2"	34	228
2"	46	272
2.1/2"	60	268



BILL OF MATERIAL

SR. NO.	PART NAME
1	BODY
2	NOZZLE
3	NOZZLE RING
4	CLACK
5	SPINDLE
6	CAP
7	SPRING
8	SPRING WASHER
9	CAP LOCKING SCREW
10	HANDLE LOCK PIN
11	SETTING SCREW
12	SETTING SCREW NUT
13	RING & NOZZLE LOCKING SCREW
14	HANDLE

Technical Data

- @ MANUFACTURING STD. : GENERALLY CONFORMING TO API 526 / PTC-25
- @ END CONNECTION : INLET CONNECTION SCREWED END MALE
- @ INSPECTION & TESTING STD. : GENERALLY CONFORMING TO API 527
- @ APPLICATION : GAS / STEAM / WATER / OIL / LIQUID
- @ BONNET CONSTRUCTION : CLOSE TYPE
- @ SPECIAL FEATURE : DIRECT SPRING OPERATED CONVENTIONAL DESIGN

AVAILABLE OPTIONS

*MATERIAL	BODY : WCB, WC6, WC9, LCB, LCC, LC3, C5, C12, CF8, CF8M, CF3, CF3M, CF8C...
	TRIMS : 13%Cr, 304, 304L, 316, 316L, 321, 347, F-51, Monel...
* PLEASE REFER TABLE OF BILL OF TRIMS.	



H.P. VALVES PVT. LTD.

WORKS : S-2, ABHISHEK INDUSTRIAL ESTATE, HARIPURA, ASARWA, AHEMDABAD-380016. GUJRAT, INDIA.

DRG. NO :

HPVPL/PSV/HPOP1580L/S-E/00/D

MODEL NO. :

HPOP1580L